

Ali Bakes Cakes 101:

*Everything You
Need to Know*



"SO LIKE ... WHAT'S THE PROCESS??"

First of all - THANK YOU for considering Ali Bakes Cakes! Seriously ... I'm honored!

If you haven't already, please submit an inquiry through our website with your requested date to make sure we have availability.

Take a look at the pricing information on PAGE 3-4 of this document to make sure we are a good fit for your budget.

Contact me to get a quote, decide what you are going to order, and get started on the design process.

Sign your contract and pay the 50% deposit to secure your date!

WEDDING CAKE PRICING

Single Tier "Cutting" Cakes

For couples that want a cake for the tradition, but are opting for other dessert options for their guests.

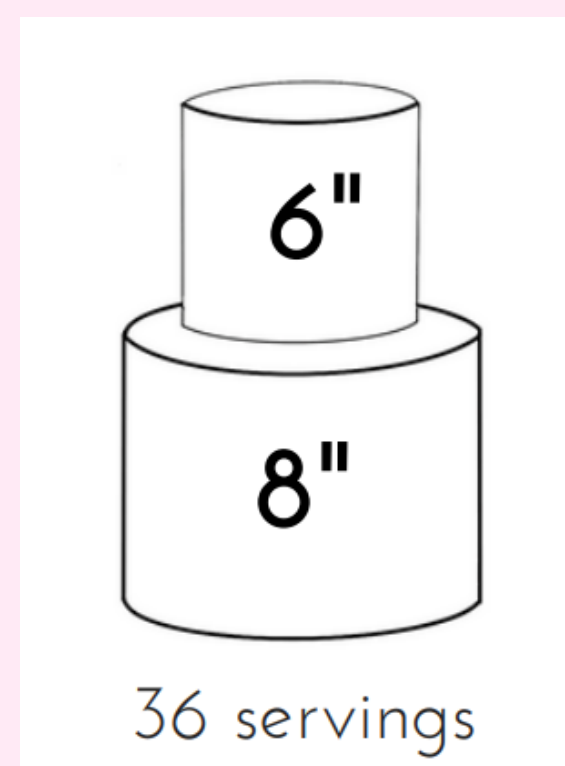
6" 12 servings Starting price \$45

8" 24 servings Starting price \$75

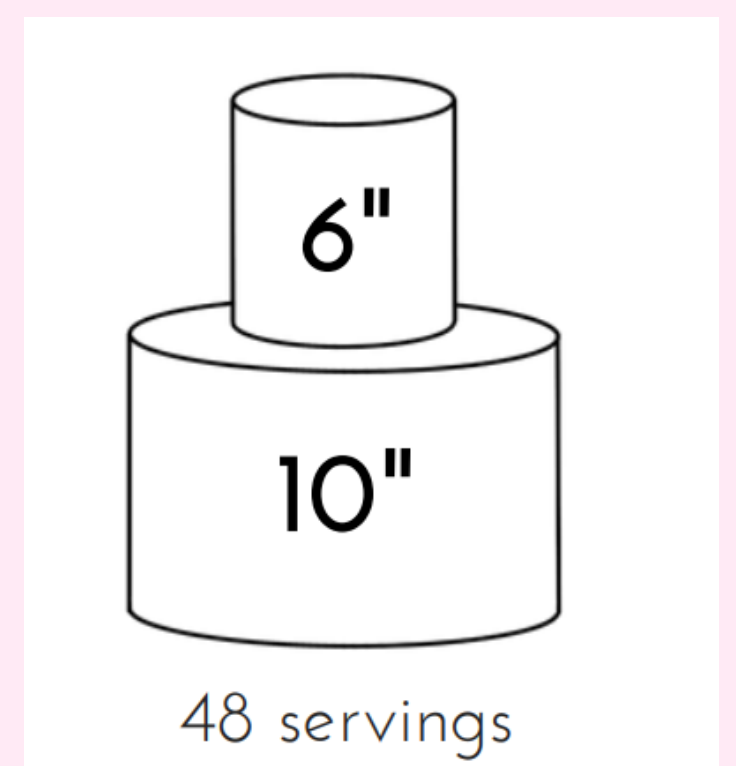
Tiered Cakes

Starting price is \$4 per slice.

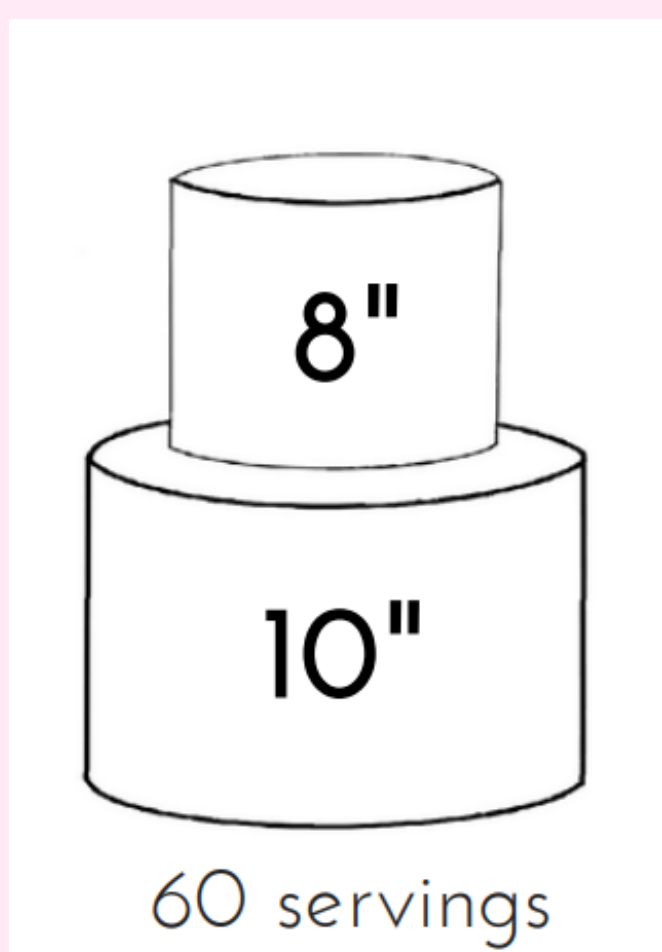
The sizes shown are examples of popular size choices. Other combinations of tier sizes are possible to accommodate the amount of cake you need, and the look you love!



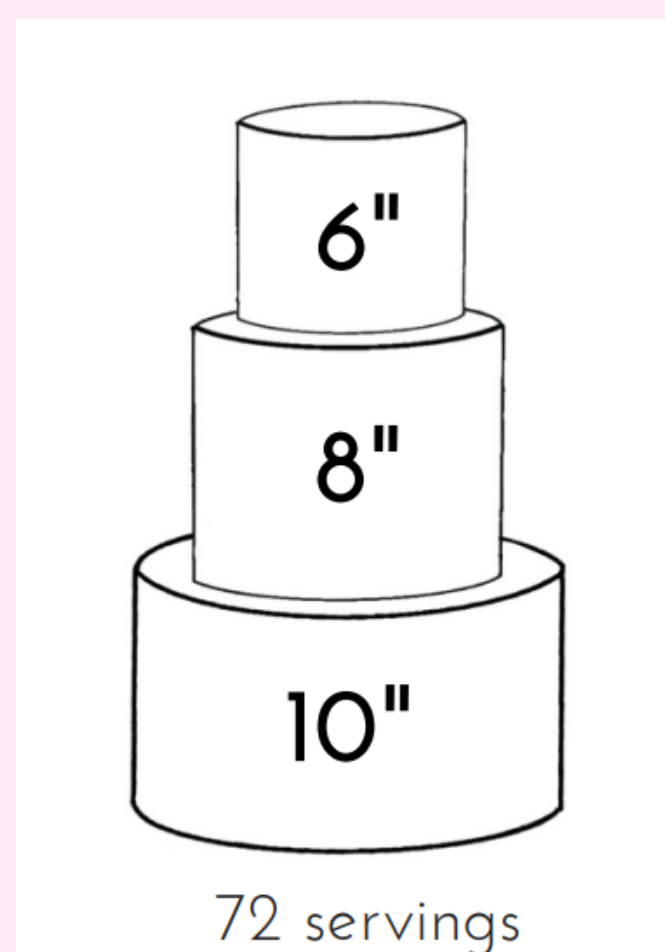
*\$150



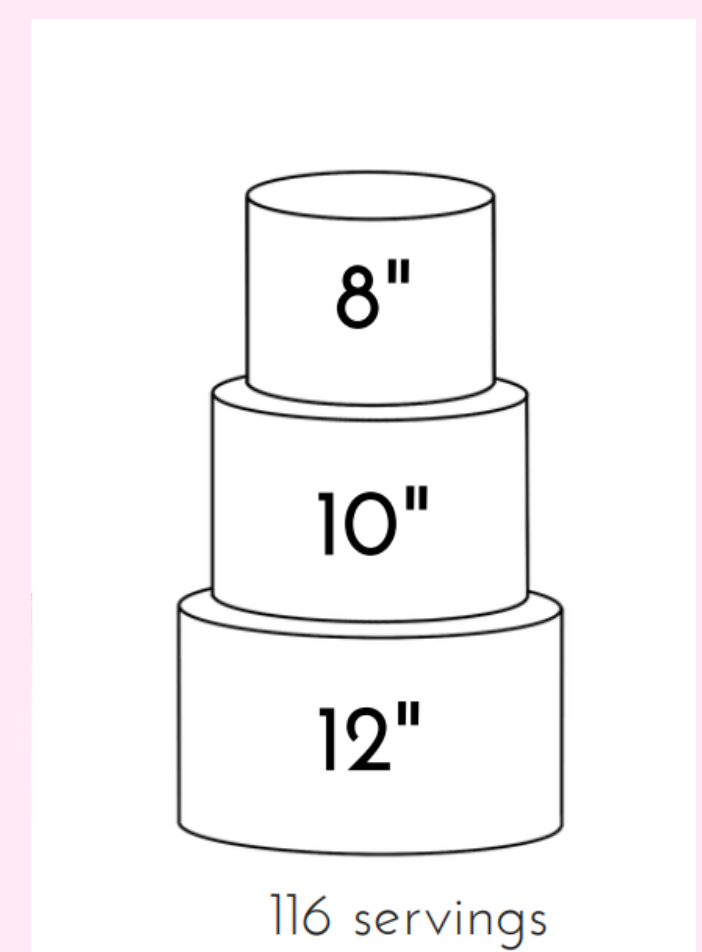
*\$192



*\$240



*\$288



*\$464

**starting prices*

ADDITIONAL OPTIONS

Cookies

Custom decorated sugar cookies start at \$36 per dozen. Prices may vary depending on design elements.

Cakesicles

A Cakesicle is basically a cake pop (cake crumbs combined with frosting, covered in chocolate) but in the shape of a popsicle. \$36 per dozen.

Sheet Cake

A Sheet Cake includes one layer of cake with buttercream on top and your choose of 2 colors for decoration.

You can add a topper for an additional cost. 1/4 sheet cake starts at \$50.

Macarons

A Macaron is like a cookie shell with a filling, usually vanilla buttercream, but can be changed for a higher price. Macarons starts at \$30 per dozen.

ADDITIONAL FEES

DELIVERY: Minimum delivery fee of \$30. Increased fee depending on location and size of cake/order.

DESIGN ELEMENTS: Some examples of design elements that would add to the cost of a cake include intricate piping, metallic accents, fondant details, candy, cake toppers, fresh flowers (unless provided by florist/you), etc.

CAKE FLAVORS

Cake

Vanilla
Chocolate
Almond
Funfetti
Red Velvet
Strawberry
Lemon

Frosting

Vanilla
Chocolate
Cream Cheese
Peanut Butter
Oreo
Salted Caramel

Fillings

Fresh strawberries
Fresh raspberries
Strawberry compote
Raspberry compote
Salted Caramel
Chocolate ganache

If you have a cake with multiple tiers, you may choose different flavors for each tier.

PAYMENT

A deposit is required to secure your date. Your order will not be guaranteed until that deposit is made.

The deposit amount will be 50% of your total order price. This deposit is nonrefundable.

The remaining balance will be due at pickup.

The deposit and final payment will be made through an online invoice via credit/debit card.

Any late payments may be subject to late fees.

For cancellations within 1 week of the event, the entire amount of order is still owed.

FAQ's

Do you offer wedding cake tastings?

Yes! We provide a tasting appointment that includes 3 flavors for \$30.

When should I order my cake?

A few months before would be ideal. For wedding cakes, we prefer at least 6 months in advance.

Do you deliver? When should you deliver? And do you set up? How does that work?

Yes, we are able to deliver wedding orders and take care of whatever setup is required! We typically like to deliver a few hours before the wedding, once the linens are on, the table is set up, and the florals are available to place on the cake (if that applies to you.) There is a minimum delivery fee of \$30.

Can you accommodate special dietary needs?

Unfortunately, no. We do offer a gluten friendly option, but it is baked with equipment that handles gluten products. We wouldn't recommend for an allergy, but for a sensitivity/intolerance that is up to your discretion.

CONTRACT

This Cake Contract is entered into by Ali Bakes Cakes LLC and *Client Name* (the "Client"). The following terms and conditions apply:

- A 50% deposit is required to secure the event date and is non-refundable. The remaining balance is on pickup date.
- Payments made after due date are subject to late fees.
- Payments will be paid via credit/debit card through online invoice unless otherwise agreed upon.
- For cancellations within 1 week of the event, the entire amount of contract is still owed to Ali Bakes Cakes.
- Any changes to the order are subject to availability, and must be made in writing no later than one month prior to pickup and may incur additional charges.
- Client assumes full liability and responsibility for the condition of the cake once it leaves Ali Bakes Cakes possession.
- Client is responsible for providing an appropriate and secure environment for cake(s), i.e. a sturdy table and optimum room temperature of 75 degrees or below.
- The size of the tiers will be adjusted to accommodate the correct number of servings based on an industry standard slice of approximately 8 cubic inches, 4 inches high, 1 inch wide and 2 inches deep. Ali Bakes Cakes is not responsible for shortage of cake due to incorrect guest counts or failure to cut industry standard sized slices.
- Ali Bakes Cakes reserves the right to use any photographs of the finished cake for promotion without compensation.
- Ali Bakes Cakes promises a product of high quality and service, but is not liable for unforeseen circumstances, including but not limited to inclement weather, transportation problems, accidents, and other causes beyond reasonable control.

I, *Client Name*, agree to all the terms set out in this contract, and agree that I am the person responsible for payments and decisions regarding this cake order.

DATE _____ SIGNATURE _____